

Screen Printer

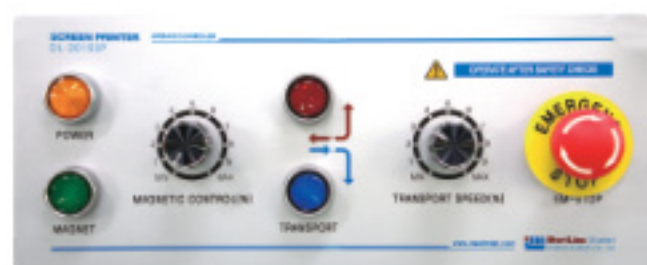
Screen printer



ISO QUALITY SYSTEM CERTIFICATION



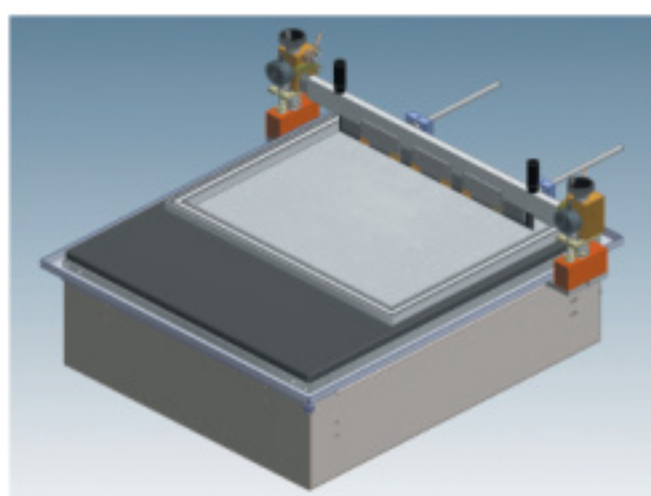
DL-2015SP



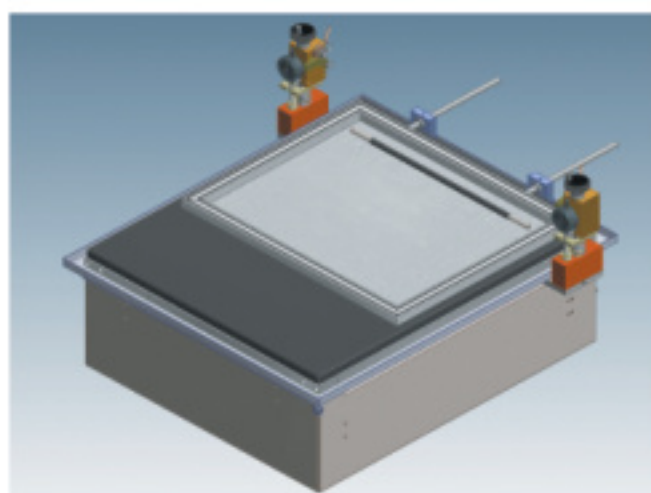
Control panel

Feature

- Semi-automatic screen printing.
- Adjustable squeegee inclination.
- Washable water-proof leather table.
- Accurate digital thickness gauge 0.01mm(10µm) resolution.
- Adjustable printing speed and distance.
- Selectable printing with rubber squeegee or electromagnetic bar.



Rubber squeegee type



Electromagnetic type

Specification

Model	DL-2015SP
Squeegee repeat	300mm
Squeegee operating breadth	25~400mm
Squeegee speed	1~8m/min.
Rubber squeegee size	300mm (With 8(T)m)
Electro magnetic power device	1~100%
Screen plate size	Max. 460(W) x 470(L)mm
For./Rev. stop switch	Limit switch
Safety device	E.M stop switch
Speed controller	Inverter controller
Drive motor	200W (Inverter control)
Power source	220VAC 50/60Hz single phase, 800W
Weight (Approx.)	80kg (±5kg)
Dimension (Approx.)	920(W) x 820(D) x 1150(H)mm

ACCESSORIES



Rubber squeegee



Thickness gauge



Magnetic bar



Screen frame (Option)